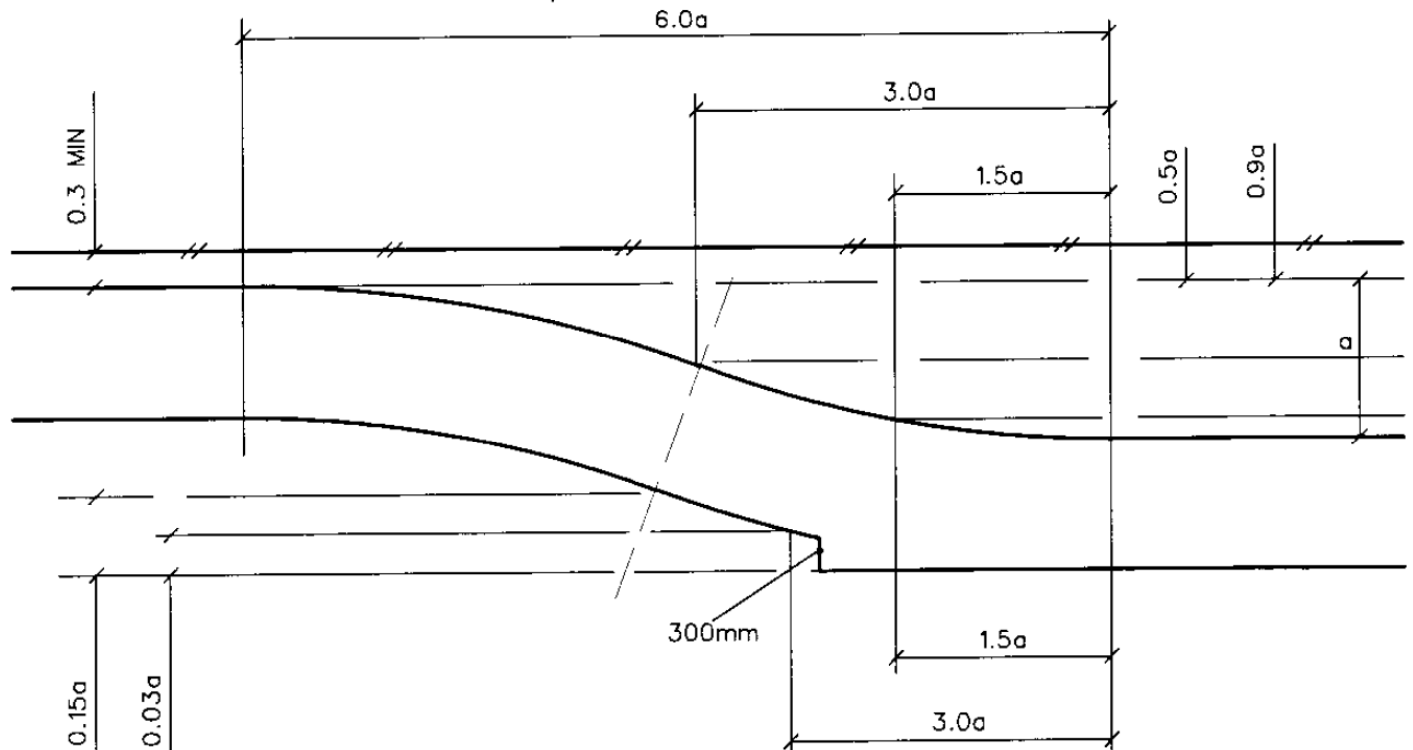


PLAN



SETOUT BY OFFSETS

D:\AU\REF : 31 LILEP

SCALE
NTS



SHEET TITLE
TYPICAL FOOTPATH MEANDER DETAIL

PLAN No.
3000 SHEET 23

Date Stamp
01/08/2003

ISSUE
A

Sheet No.
1 of 1