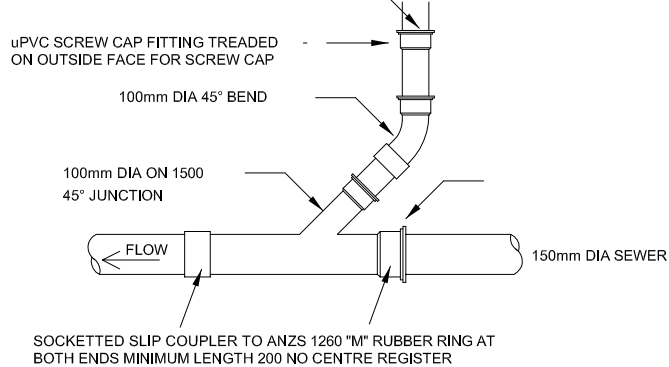


45° BEND (SQUARE JUNCTION NOT TO BE USED AT BRANCH LINE GRADIENTS LESS THAN 45°).

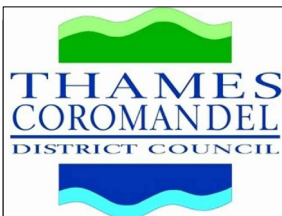
RAMPED RISERS

UPVC PIPES

ON LINE INSPECTION DENOTING BEGINNING OF PRIVATE LINE HOUSE CONNECTION



BRANCH CONNECTION



STANDARD DETAIL:

RAMPED RISERS

DATE: June 2010
NOT TO SCALE

TCDC NO:

SHEET NO:

REV:

5000

5