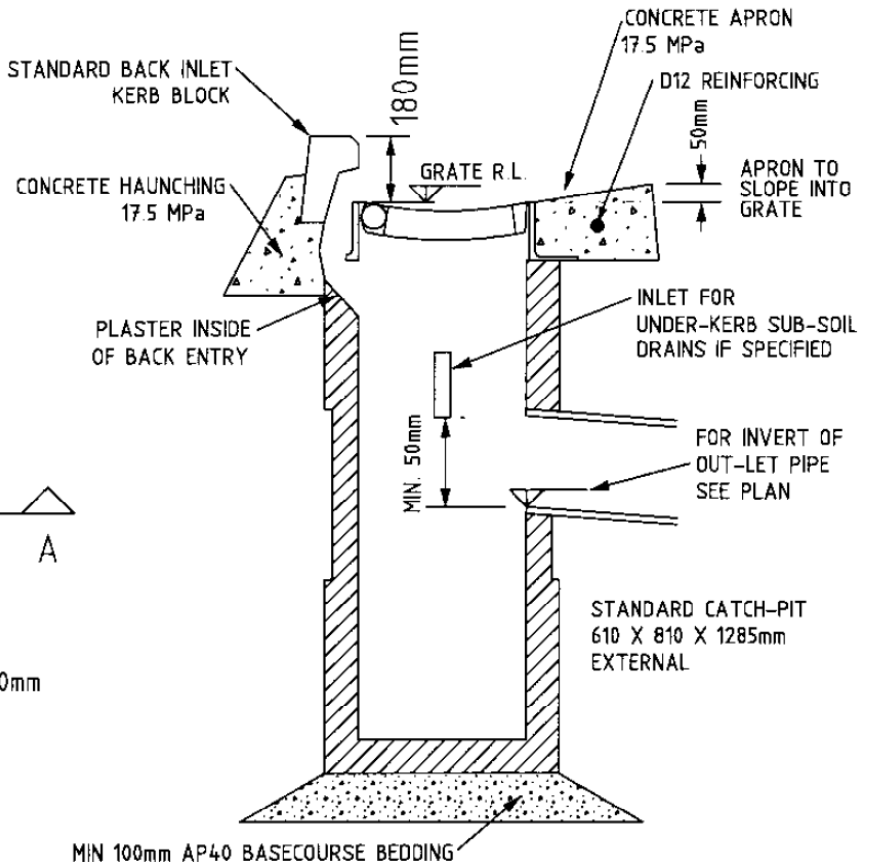


PLAN



SECTION A-A

SCALE NTS		SHEET TITLE	PLAN No.
		TYPICAL BACK-ENTRY CATCHPIT & APRON FOR BARRIER KERB	6000 SHEET 14
		Date Stamp	05/03/2003
		ISSUE	Sheet No.
		A	1 of 1