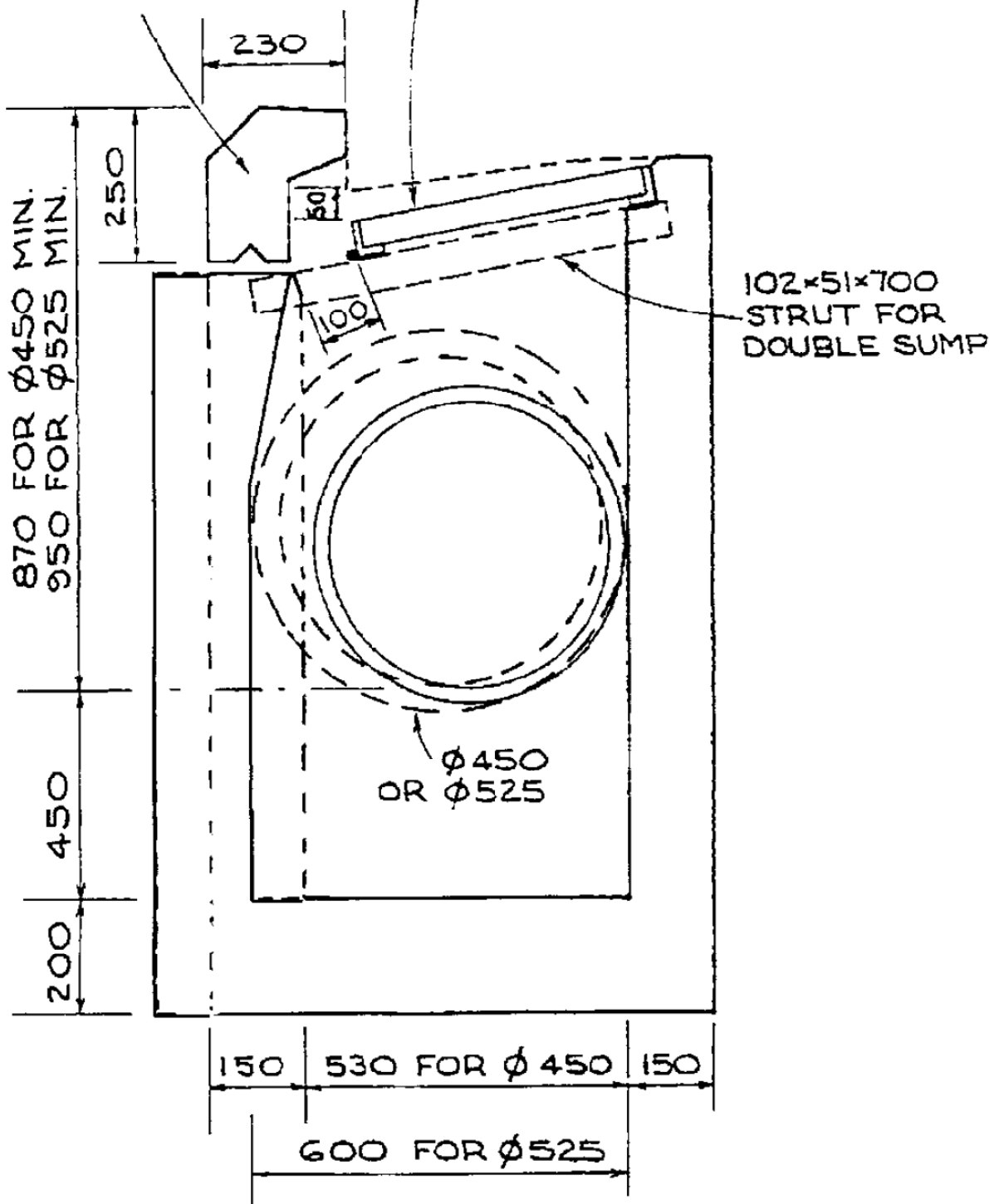


STANDARD BACK-INLET
KERB BLOCK

STANDARD FRAME
AND GRATING



SCALE
NTS



SHEET TITLE

SIDE ENTRY
ENLARGED CATCHPITS

PLAN No.
6000 SHEET 17

Date
Stamp 12/09/2003

ISSUE
A Sheet No.
1 of 1