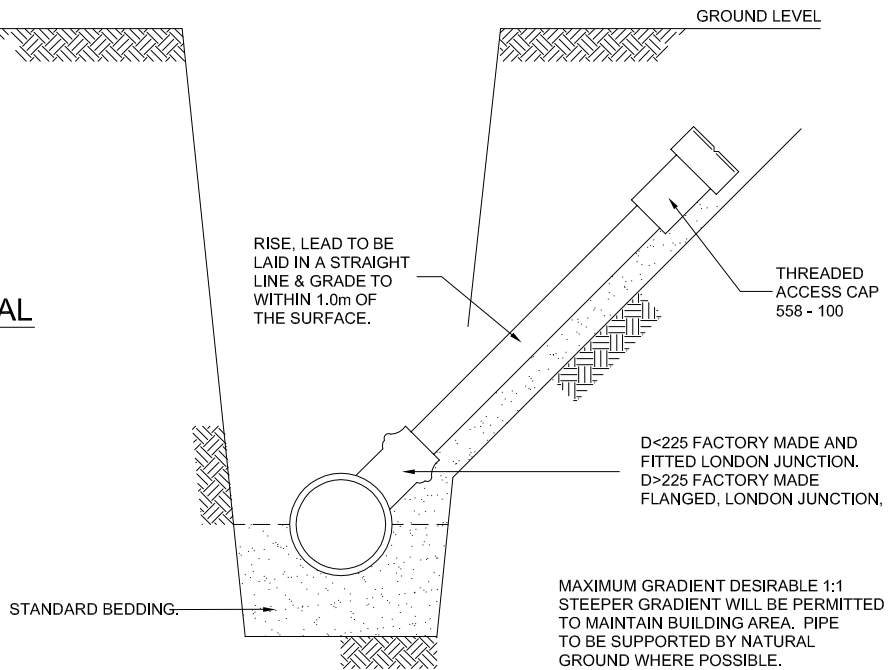
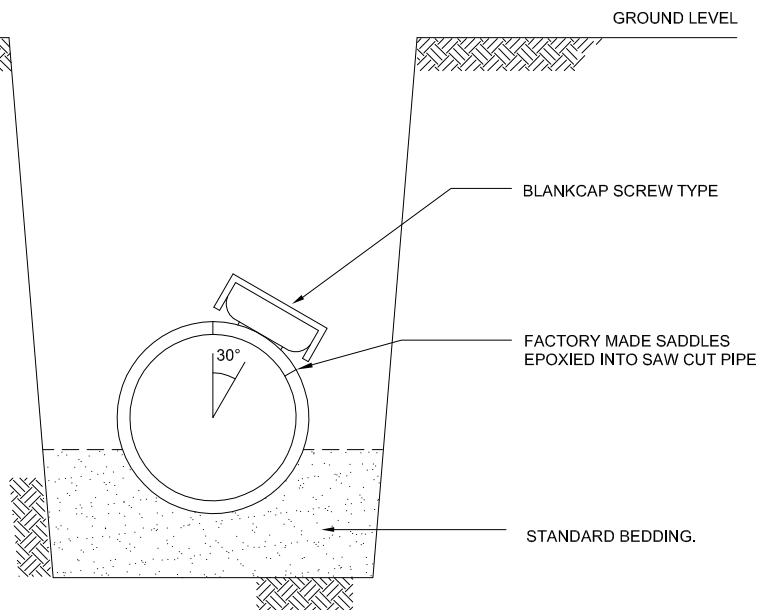


RESIDENTIAL
SCHEMATIC



COMMERCIAL
INDUSTRIAL
SCHEMATIC



STANDARD DETAIL:

STORMWATER SERVICE CONNECTIONS

DATE: June 2010
NOT TO SCALE

TCDC NO: SHEET NO: REV:

6000 2