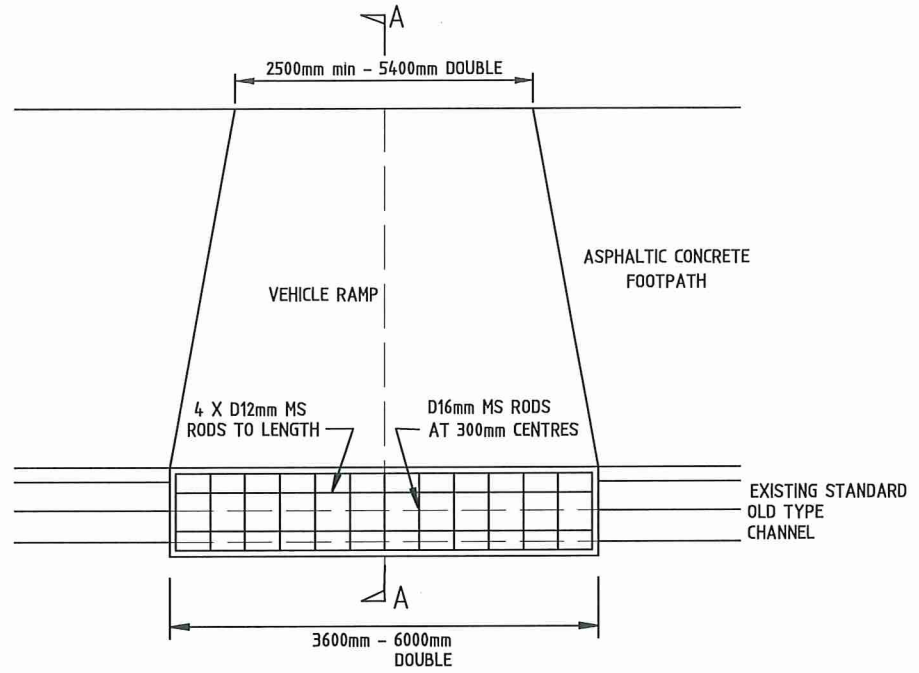
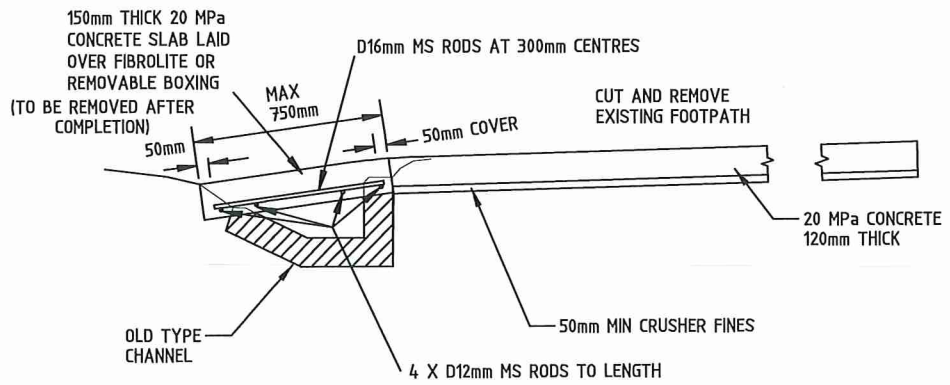


ORIGINAL SIZE A4 DO NOT SCALE - IF IN DOUBT, ASK



PLAN



SECTION A-A

CAD REF : \$FILE\$

SCALE NTS		SHEET TITLE VEHICLE CROSSING STANDARD RESIDENTIAL FOR OLD TYPE CHANNEL	PLAN No. 600-211D
			Date Stamp 01/08/2003
			ISSUE A
			Sheet No. 1 of 1